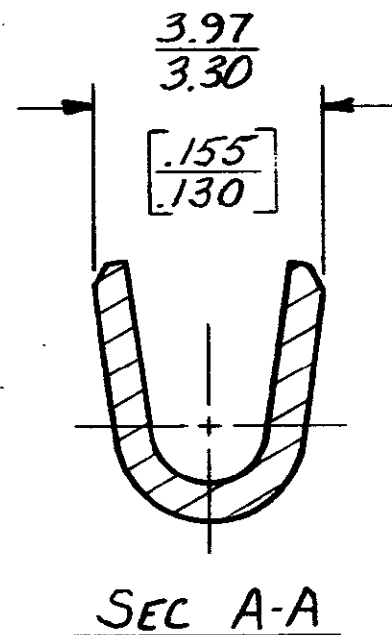
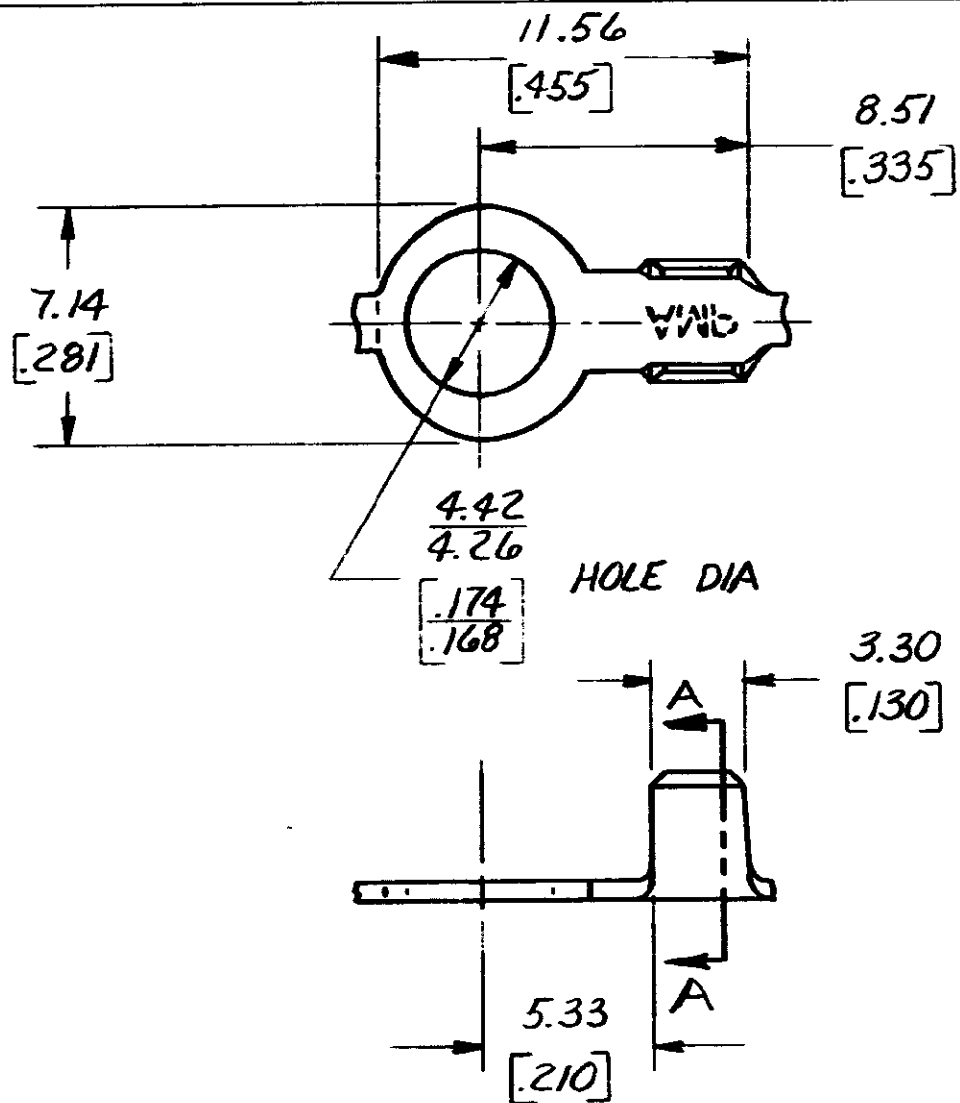


THIS DRAWING IS UNPUBLISHED. RELEASED FOR PUBLICATION, 19  
 © COPYRIGHT 19 BY AMP INCORPORATED, HARRISBURG, PA. ALL INTERNATIONAL RIGHTS RESERVED. AMP PRODUCTS MAY BE COVERED BY U.S. AND FOREIGN PATENTS AND/OR PATENTS PENDING.

REVISIONS						
P	F	ZONE	LTR	DESCRIPTION	DATE	APPROVED
	✓		C	REDRAWN	2/6/84	SS/



1. DIMS IN BRACKETS ARE IN INCHES.
2. CONTINUOUS STRIP ON REELS.

**METRIC**

UNLESS OTHERWISE SPECIFIED DIMENSIONS ARE IN <del>INCHES</del> MM		CONTRACT NO		0.8 - 2.0 mm <sup>2</sup> [#78-#14]		40951	
TOLERANCES ON: DECIMALS ± 0.38 [015] ANGLES ±		DR 2. Schaffhausen 2-6-84		WIRE RANGE		PART NO	
MATERIAL 0.51 [020] BRASS		CHK 4/2/84 2-6-84		AMP   AMP INCORPORATED Harrisburg, Pa.			
FINISH NONE		APPD [Signature] 2-7-84					
OTHER APPD		DSGN APPD		NAME RING			
				SIZE B		FSCM NO 00779	
				SCALE		DRAWING NO 40951	
						SHEET	

CUSTOMER DRAWING